

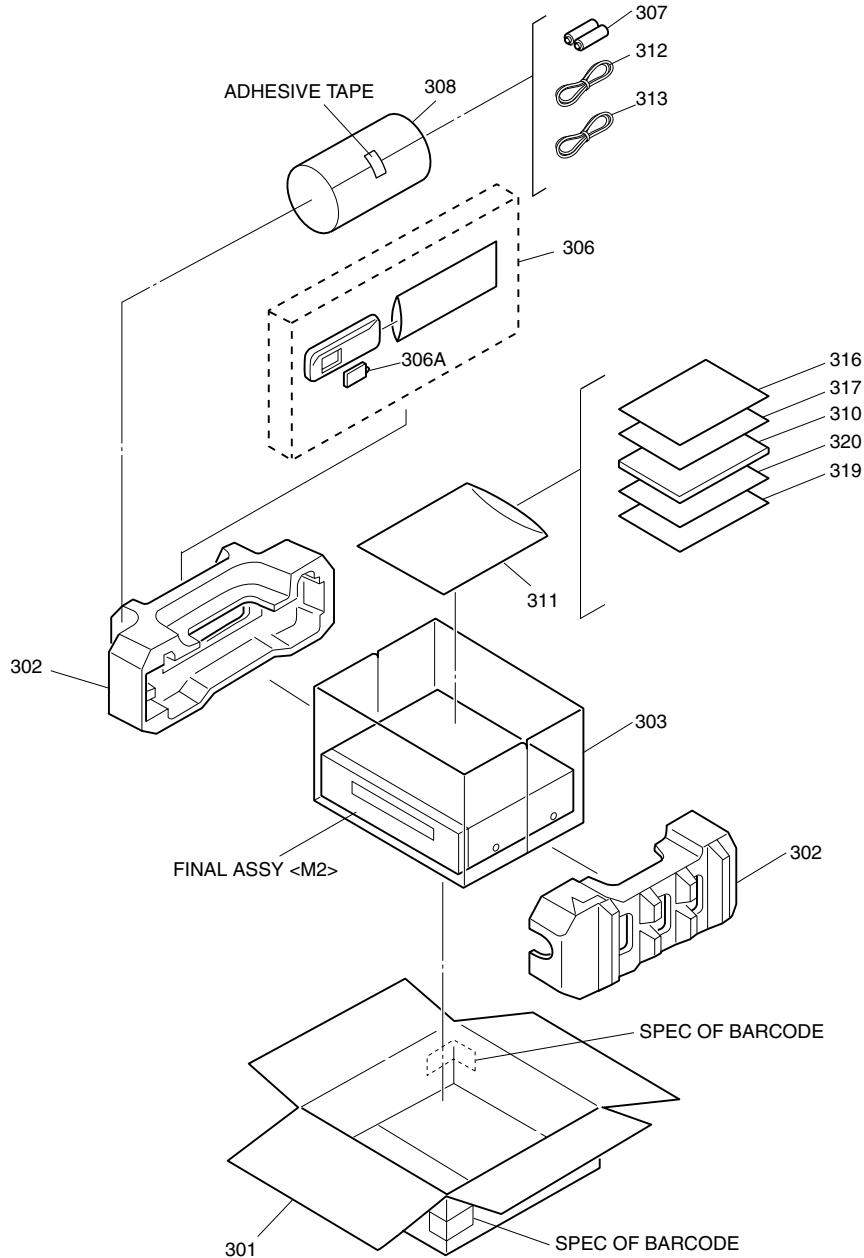
# SECTION 5 PARTS LIST

## SAFETY PRECAUTION

Parts identified by the  $\triangle$  symbol are critical for safety. Replace only with specified part numbers.

### 5.1 PACKING AND ACCESSORY ASSEMBLY <M1>

The instruction manual to be provided with this product will differ according to the destination.

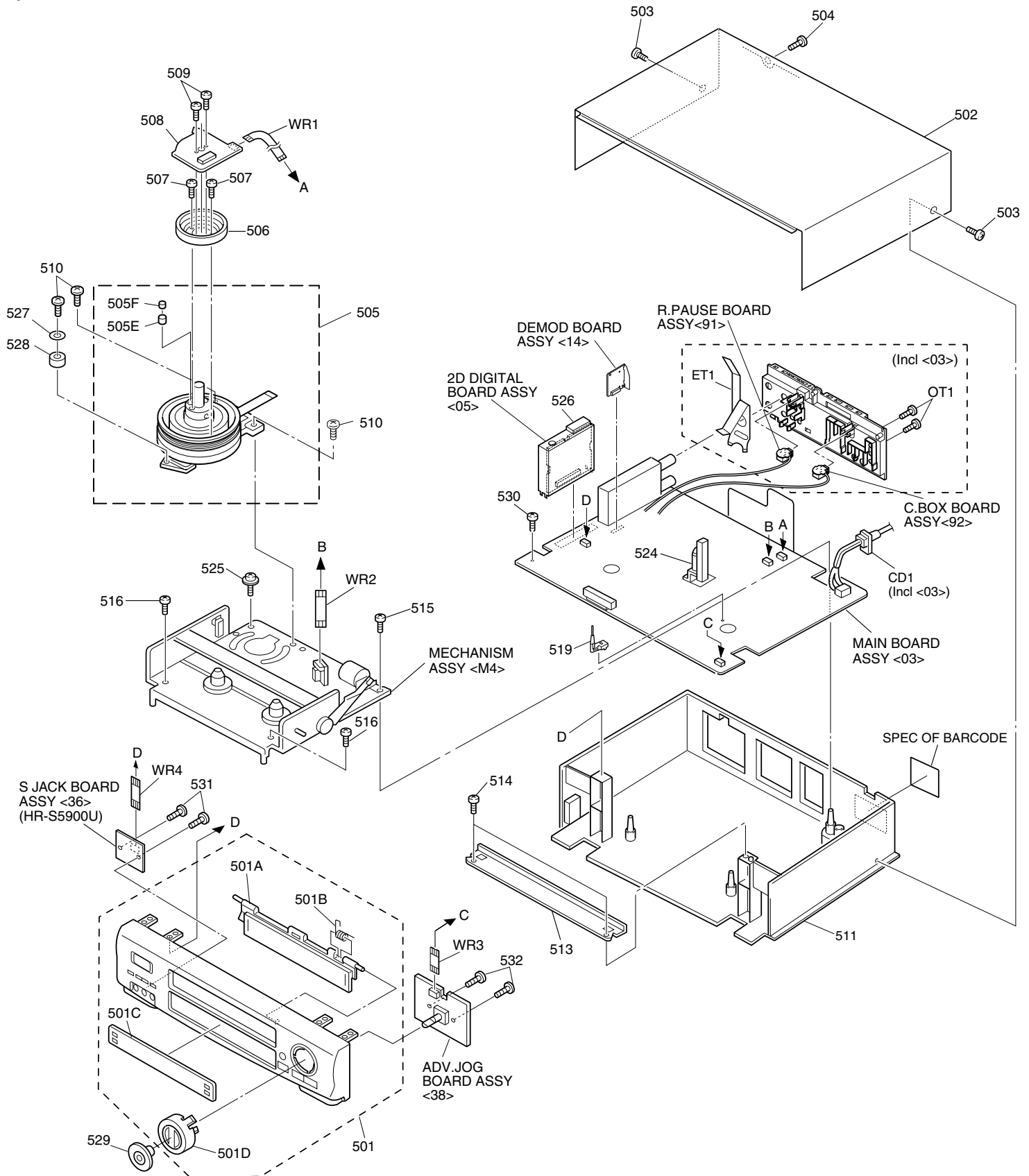


# $\triangle$ REF No.	PART No.	PART NAME, DESCRIPTION	# $\triangle$ REF No.	PART No.	PART NAME, DESCRIPTION
*****					
<b>PACKING AND ACCESSORY ASSEMBLY &lt;M1&gt;</b>					
301	LP30899-001B	PACKING CASE	308	QPC02202230P	POLY BAG
302	LP30718-001B	CUSHION ASSY	$\triangle$ 310	LPT0503-001A	INST.BOOK(EN)
303	PQM30021-93	POLY BAG	$\triangle$	LPT0503-002A	INST.BOOK(FR),S3900U(C)/S5900U(C)
306	LP20303-015A	REMOTE CONTROLLER	311	QPC02503530P	POLY BAG
306A	LP40225-002A	COVER(BATTERY)	312	PEAC0294-04	RF CABLE
307	-	BATTERY,X2("AA" TYPE)	313	QAM0004-002	S CABLE
			316	BT-52004-1	WARRANTY CARD,S3900U(C),S5900U(C)
			317	BT-51020-2	REGIST.CARD,S3900U/S5900U
			319	BT-20071B	SER.NET CARD,S3900U(C)/S5900U(C)
			320	LP30666-002B	SHEET(COUPON)

## 5.2 FINAL ASSEMBLY <M2>

### BEWARE OF BOGUS PARTS

*Parts that do not meet specifications may cause trouble in regard to safety and performance. We recommend that genuine JVC parts be used.*



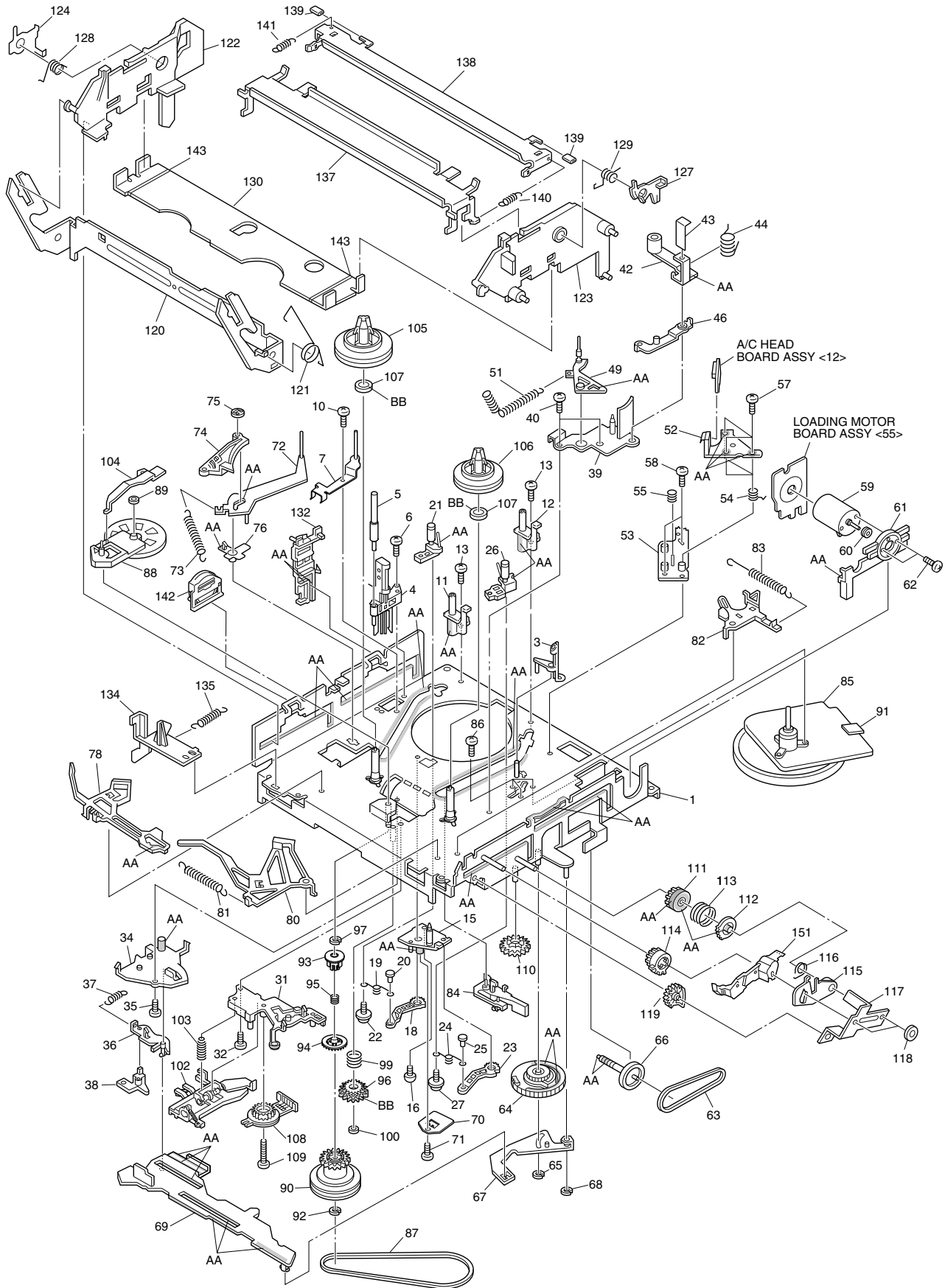
#	△ REF No.	PART No.	PART NAME, DESCRIPTION	#	△ REF No.	PART No.	PART NAME, DESCRIPTION
---	-----------	----------	------------------------	---	-----------	----------	------------------------

\*\*\*\*\*

**FINAL ASSEMBLY <M2>**

△	501	LP10289-062C	FRONT PANEL ASSY,S5900U/U(C)
△		LP10289-063C	FRONT PANEL ASSY,S3900U/U(C)
	501A	LP20868-005A	CASSETTE DOOR,S5900U/U(C)
		LP20868-035A	CASSETTE DOOR,S3900U/U(C)
	501B	PQ46448	TORSION SPRING
	501C	LP20869-092A	DISPLAY WINDOW,S5900U/U(C)
		LP20869-093A	DISPLAY WINDOW,S3900U/U(C)
	501D	LP21014-001C	ORNAMENT
△	502	LP10013-021D	TOP COVER
	503	QYTDSF3010M	SCREW,X2 TOP COVER(SIDE)
	504	QYTDSF3010M	SCREW, TOP COVER(REAR)
	505	LP20981-010A	DRUM SUB ASSY,S3900U/U(C)
		LP20981-012A	DRUM SUB ASSY,S5900U/U(C)
	505E	LP40323-001A	CONTACT
	505F	LP30004-014A	COMPRESSION SPRING
	506	PDZ0179-1-4	ROTOR ASSY
	507	QYSPSP3006Z	SCREW,X2
△	508	QAR0169-002	STATOR ASSY
	509	QYSPSPH2606Z	SCREW,X2
	510	QYTDST2610Z	SCREW,X3 DRUM
△	511	LP10108-012E	BOTTOM CHASSIS
	513	LP30312-001B	BRACKET(CHASSIS)
	514	QYTDSF3010Z	SCREW,X2
	515	QYTDSF4012Z	SCREW,MECHA
	516	QYTDSF3010Z	SCREW,X2 MECHA
	519	LP40407-001A	KNOB ASSY
	524	LP40253-001B	STOPPER
	525	PQ40413	SPECIAL SCREW,MECHA
	526	LP30002-088B	SPACER,SHIELD FRAME
	527	QYWWS267505Z	WASHER
	528	LP30017-021A	SPACER
	529	LP30954-001A	KNOB ASSY
	530	QYTDSF3010Z	SCREW,MAIN
	531	QYTDSF2608Z	SCREW,X2 S JACK
	532	QYTDSF2608Z	SCREW,X2 JOG
	WR1	QUQ212-0518CG	FFC WIRE,DRUM CN3002
	WR2	WJT0005-002A	E-CARD WIRE,A/C HEAD CN2001
	WR3	QUQ112-0914CG	FFC WIRE,FRONT CN7001
	WR4	WJT0026-001A	E-CARD WIRE,S(FSA) CN7103,S5900U/U(C)

### 5.3 MECHANISM ASSEMBLY <M4>



Classification	Part No.	Symbol in drawing
Grease	KYODO-SH-P	AA
Oil	COSMO-HV56	BB

**NOTE:**The section marked in **AA** and **BB** indicate lubrication and greasing areas.

#	△	REF No.	PART No.	PART NAME, DESCRIPTION	#	△	REF No.	PART No.	PART NAME, DESCRIPTION
*****									
<b>MECHANISM ASSEMBLY &lt;M4&gt;</b>									
1			LP20821-006A	MAIN DECK ASSY	74			LP40109-003D	TENSION BRAKE ASSY
3			LP30492-002B	GUIDE POLE GUARD	75			PQ46302-1-3	ADJUST PIN
4			NAH0001-001	FULL ERASE HEAD	76			LP30232-002A	TENSION ARM BEARING
5			LP40098-001B	GUIDE POLE(SUPPLY)	78			LP40532-008B	MAIN BRAKE ASSY (SUPPLY)
6			QYTDST2608Z	SCREW,FE HEAD	80			LP40111-011A	MAIN BRAKE ASSY (TAKE UP)
7			LP40637-002A	TENSION STUD BASE ASSY	81			LP30003-026A	TENSION SPRING
10			QYTDST2606Z	SCREW	82			LP40112-001F	SUB BRAKE ASSY(TAKE UP)
11			LP30409-002C	UV CATCHER 2	83			LP40357-002A	TENSION SPRING
12			LP30409-002C	UV CATCHER 2	84			LP40461-001A	CAPSTAN BRAKE ASSY
13			QYTPST2606Z	SCREW,X2	85			QAR0087-005	CAPSTAN MOTOR
15			LP30223-003C	LOADING ARM GEAR SHAFT	86			QYTDST2606M	SCREW,X3
16			QYTDST2606Z	SCREW	87			LP30005-007A	BELT,CAPSTAN MOTOR
18			LP30224-001B	LOADING ARM GEAR(SUPPLY)	88			LP40114-012A	IDLER ARM ASSY
19			LP40099-001A	TORSION ARM	89			LP40599-001A	WASHER
20			LP40100-001A	PIN	90			LP40593-001A	CLUTCH UNIT 3
21			LP40101-006A	POLE BASE ASSY(SUPPLY)	91			LP30002-097A	SPACER,CAPSTAN MOTOR
22			QYSPSTG2606Z	SCREW	92			PQM30017-47	SLIT WASHER
23			LP40103-002B	LOADING ARM GEAR(TAKE UP)	93			LP30696-002A	CLUTCH GEAR 4
24			LP40099-001A	TORSION ARM	94			LP30697-003A	COUPLING GEAR
25			LP40100-001A	PIN	95			LP40554-002A	COMPRESSION SPRING
26			LP40104-006A	POLE BASE ASSY(TAKE UP)	96			LP40442-001A	DIRECT GEAR
27			QYSPSTG2606Z	SCREW	97			LP30017-019A	SPACER
31			LP20233-004B	ROTARY ENCODER GUIDE	99			LP40483-002A	COMPRESSION SPRING
32			QYTPST2606Z	SCREW	100			LP30016-001A	SLIT WASHER
34			LP30226-004E	CONTROL PLATE GUIDE	102			LP40484-001J	CHANGE LEVER ASSY
35			QYTPST2605Z	SCREW	103			LP40512-002B	COMPRESSION SPRING
36			LP30249-003B	TAKE UP LEVER	104			LP30236-002C	IDLER LEVER
37			LP30003-006A	TENSION SPRING	105			LP20237-001B	REEL DISK (SUPPLY)
38			LP40119-002A	TAKE UP HEAD	106			LP20238-001B	REEL DISK (TAKE UP)
39			LP20234-004B	LID GUIDE	107			LP30017-015A	SPACER,X2
40			QYTDST2606Z	SCREW,X2	108			QSW0554-003	ROTARY ENCODER
42			LP40105-003A	PINCH ROLLER ARM ASSY	109			QYTPST2620Z	SCREW
43			LP40753-001A	PINCH ROLLER SHEET3	110			LP30237-002B	CASSETTE GEAR
44			LP40148-002A	TORSION SPRING	111			LP30239-002G	LIMIT GEAR(1)
46			LP40149-001C	PRESS LEVER ASSY	112			LP30240-002G	LIMIT GEAR(2)
49			LP40106-007A	GUIDE ARM ASSY	113			LP40136-001E	TORSION SPRING
51			LP40134-002A	TENSION SPRING	114			LP30242-002A	RELAY GEAR
52			QAH0058-001	AC HEAD	115			LP30339-002E	OPENER GUIDE
53			LP30228-001A	HEAD BASE	116			LP40545-001A	TORSION SPRING
54			LP30004-013A	COMPRESSION SPRING,X3	117			LP40214-001B	C.H.BRACKET
55			LP40236-001A	COMPRESSION SPRING	118			PQM30017-47	SLIT WASHER,X2
57			LP40213-002B	SPECIAL SCREW,X3	119			LP30243-001D	DRIVE GEAR
58			QYTDST2608Z	SCREW,X2	120			LP20240-001G	DRIVE ARM
59			QAR0023-001	LOADING MOTOR	121			LP40137-001A	TORSION SPRING
60			PQ43546-1-2	MOTOR PULLEY	122			LP10081-002L	SIDE HOLDER(L)
61			LP30230-001B	MOTOR GUIDE	123			LP10082-002M	SIDE HOLDER(R)
62			QYTPSP3003Z	SCREW,X2	124			LP30255-006A	LOCK LEVER(L)
63			LP30005-003A	BELT,LOADING MOTOR	127			LP30256-001H	LOCK LEVER(R)
64			LP20791-002D	CONTROL CAM	128			LP40168-003A	TORSION SPRING(L)
65			PQM30017-24	SLIT WASHER	129			LP40218-001B	TORSION SPRING(R)
66			LP40120-001A	WORM GEAR	130			LP30257-001G	CASSETTE HOLDER
67			LP40107-002A	LINK LEVER ASSY	132			LP30244-002G	GUIDE RAIL
68			PQM30017-24	SLIT WASHER	134			LP30245-002F	REC SAFETY LEVER
69			LP10201-003E	CONTROL PLATE	135			LP30003-004A	TENSION SPRING
70			LP40379-001B	CONTROL BRACKET(1)	137			LP20578-001C	TOP GUIDE
71			QYTDST2608M	SCREW	138			LP30500-001C	HOLD PLATE
72			LP40108-002A	TENSION ARM ASSY	139			LP40450-003A	PAD,X2
73			LP30003-010A	TENSION SPRING	140			LP30003-025B	TENSION SPRING
					141			LP30003-024A	TENSION SPRING
					142			LP40481-003A	ROLLER CAM ASSY
					143			LP30019-014A	PAD,X2
					151			LP20324-003B	DOOR OPENER

## 5.4 ELECTRICAL PARTS LIST

#	△ REF No.	PART No.	PART NAME, DESCRIPTION
*****			
<b>MAIN BOARD ASSEMBLY &lt;03&gt;</b>			
PW1		LPA10134-03D1	MAIN BOARD ASSY,S5900U/U(C)
		LPA10134-05D1	MAIN BOARD ASSY,S3900U/U(C)
IC1		JCP8050-NSA	IC
		or JCP8050-MSA	IC
IC501		JCP8038	IC
IC502		VC2076DP	IC
IC3001		MN101D02HWD	IC
IC3002		BA6956AN	IC
IC3003		IC-PST3440U-X	IC
IC3004		S-24C04BFJ-X	IC
		or X24C04S	IC
		or 24LC04B/SN-X	IC
		or AT24C04N-10SC-X	IC
		or BR24C04F-W-X	IC
IC5301		L5431	IC
		or MM1431AT	IC
IC7001		PT6312LQ	IC
		or UPD16312GB/H/	IC
IC7003		GP1U291Q	IR DETECT UNIT
		or PIC-28143LJ	IR DETECT UNIT
		or PIC-37143LJ	IR DETECT UNIT
		or PNA4652M00YC	IR DETECT UNIT
Q1		2SC4081/S/-X	TRANSISTOR,S3900U/U(C)
Q2		2SC4081/S/-X	TRANSISTOR,S3900U/U(C)
Q3		2SC4081/S/-X	TRANSISTOR,S3900U/U(C)
Q4		2SC4081/S/-X	TRANSISTOR,S3900U/U(C)
Q7		2SC4081/QRS/-X	TRANSISTOR
		or 2PC4081/R/-X	TRANSISTOR
Q8		2SC4081/QRS/-X	TRANSISTOR
		or 2PC4081/R/-X	TRANSISTOR
Q9		2SA1576A/QR/-X	TRANSISTOR
		or 2PA1576/R/-X	TRANSISTOR
Q12		2SA1576A/QR/-X	TRANSISTOR
		or 2PA1576/R/-X	TRANSISTOR
Q17		DTC144WU	TRANSISTOR
		or PDTC144WU	TRANSISTOR
		or RN1309	TRANSISTOR
		or UN521E	TRANSISTOR
Q21		2SA1576A/QR/-X	TRANSISTOR
		or 2PA1576/R/-X	TRANSISTOR
Q33		DTC144WU	TRANSISTOR
		or PDTC144WU	TRANSISTOR
		or UN521E	TRANSISTOR
		or RN1309	TRANSISTOR
Q38		2SC4081/QRS/-X	TRANSISTOR
		or 2PC4081/R/-X	TRANSISTOR
Q401		2SA1576A/QR/-X	TRANSISTOR,S5900U/U(C)
Q402		2SA1576A/QR/-X	TRANSISTOR,S5900U/U(C)
Q403		DTC144WU	TRANSISTOR,S5900U/U(C)
		or PDTC144WU	TRANSISTOR,S5900U/U(C)
		or RN1309	TRANSISTOR,S5900U/U(C)
		or UN521E	TRANSISTOR,S5900U/U(C)
Q404		DTC144WU	TRANSISTOR,S5900U/U(C)
		or PDTC144WU	TRANSISTOR,S5900U/U(C)
		or RN1309	TRANSISTOR,S5900U/U(C)
		or UN521E	TRANSISTOR,S5900U/U(C)
Q405		2SA1576A/QR/-X	TRANSISTOR,S5900U/U(C)

#	△ REF No.	PART No.	PART NAME, DESCRIPTION
Q901		2SA1576A/QR/-X	TRANSISTOR
		or 2PA1576/R/-X	TRANSISTOR
Q903		2SA1576A/QR/-X	TRANSISTOR
		or 2PA1576/R/-X	TRANSISTOR
Q904		2SA1576A/QR/-X	TRANSISTOR
		or 2PA1576/R/-X	TRANSISTOR
Q2001		2SC4081/QRS/-X	TRANSISTOR
		or 2SD1819A/QRS/-X	TRANSISTOR
		or 2PC4081/R/-X	TRANSISTOR
Q2002		2SC4081/QRS/-X	TRANSISTOR
		or 2PC4081/R/-X	TRANSISTOR
		or 2SD1819A/QRS/-X	TRANSISTOR
Q2003		DTA144WU	TRANSISTOR
		or PDTA144WU	TRANSISTOR
		or RN2309	TRANSISTOR
		or UN511E	TRANSISTOR
Q2051		2SC4081/QRS/-X	TRANSISTOR
		or 2PC4081/R/-X	TRANSISTOR
		or 2SD1819A/QRS/-X	TRANSISTOR
Q2052		2SA1576A/QR/-X	TRANSISTOR
		or 2SB1218A/QR/-X	TRANSISTOR
		or 2PA1576/R/-X	TRANSISTOR
Q2053		DTC144WU	TRANSISTOR
		or PDTC144WU	TRANSISTOR
		or RN1309	TRANSISTOR
		or UN521E	TRANSISTOR
Q2054		2SA1576A/QR/-X	TRANSISTOR
		or 2PA1576/R/-X	TRANSISTOR
		or 2SB1218A/QR/-X	TRANSISTOR
Q2055		DTC144WU	TRANSISTOR
		or PDTC144WU	TRANSISTOR
		or RN1309	TRANSISTOR
		or UN521E	TRANSISTOR
Q2061		2SC4081/QRS/-X	TRANSISTOR,S5900U/U(C)
		or 2PC4081/R/-X	TRANSISTOR,S5900U/U(C)
		or 2SD1819A/QRS/-X	TRANSISTOR,S5900U/U(C)
Q2062		2SA1576A/QR/-X	TRANSISTOR,S5900U/U(C)
		or 2PA1576/R/-X	TRANSISTOR,S5900U/U(C)
		or 2SB1218A/QR/-X	TRANSISTOR,S5900U/U(C)
Q2063		DTC144WU	TRANSISTOR,S5900U/U(C)
		or PDTC144WU	TRANSISTOR,S5900U/U(C)
		or RN1309	TRANSISTOR,S5900U/U(C)
		or UN521E	TRANSISTOR,S5900U/U(C)
Q2251		DTA144WU	TRANSISTOR
		or PDTA144WU	TRANSISTOR
		or RN2309	TRANSISTOR
		or UN511E	TRANSISTOR
Q3002		PTZ-NV16	PHOTO TRANSISTO
		or PTZ-NV16A	PHOTO TRANSISTO
Q3005		UN521K	TRANSISTOR
		or DTC114WU	TRANSISTOR
Q4001		UN5211	TRANSISTOR
		or DTC114EU	TRANSISTOR
		or RN1302	TRANSISTOR
		or PDTC114EU	TRANSISTOR
Q4002		2SD1819A/QRS/-X	TRANSISTOR
		or 2SC4081/QRS/-X	TRANSISTOR
		or 2PC4081/R/-X	TRANSISTOR
Q5101		2SK2043-CB14	FE TRANSISTOR
		or 2SK2043	FE TRANSISTOR
		or 2SK2324-LT	POWER MOS FET

#	△	REF No.	PART No.	PART NAME, DESCRIPTION	#	△	REF No.	PART No.	PART NAME, DESCRIPTION
			or 2SK2324	POWER MOS FET				or 10ELS2	FR DIODE
		Q5102	2SD2144S/UV/-T	TRANSISTOR			or 1SR153-400-T2	FR DIODE	
		Q5302	2SD2375/QP/	TRANSISTOR			or PG104RS	FR DIODE	
		Q5303	2SD1819A/RS/-X	TRANSISTOR	D5211		AU01Z	FR DIODE	
			or 2SC4081/RS/-X	TRANSISTOR			or ERA18-02-T2	FR DIODE	
			or 2PC4081/R/-X	TRANSISTOR			or PG104RS	FR DIODE	
		Q5304	2SD2144S/UV/-T	TRANSISTOR			or 10ELS2	FR DIODE	
		Q5305	DTA114EU	TRANSISTOR			or 1SR153-400-T2	FR DIODE	
			or PDTA114EU	TRANSISTOR	D5301		MTZJ15C	ZENER DIODE	
			or RN2302	TRANSISTOR			or RD15ES/B3/-T2	ZENER DIODE	
			or UN5111	TRANSISTOR	D5302		NRSA02J-0R0X	MG RESISTOR	0Ω, 1/10W
		Q5306	DTC114EU	TRANSISTOR	D5303		RD5.1JS/B2/-T2	ZENER DIODE	
			or PDTC114EU	TRANSISTOR			or MA4051N/M/-T2	ZENER DIODE	
			or UN5211	TRANSISTOR	D5304		1SS355	DIODE	
			or RN1302	TRANSISTOR	D5307		QUY153-050Y	IM BUS WIRE	
		Q6030	2SB1218A/QR/-X	TRANSISTOR	D5309		MTZJ27C	ZENER DIODE	
			or 2SA1576A/QR/-X	TRANSISTOR			or RD27ES/B3/-T2	ZENER DIODE	
			or 2PA1576/R/-X	TRANSISTOR	D5310		1SS133	DIODE	
		Q6551	2SC1740S/QRS/-T	TRANSISTOR			or 1SS270A	DIODE	
			or 2SC3199/YG/-T	TRANSISTOR	D6002		HZ30-2L-T2	ZENER DIODE	
			or KTC3199/YG/-T	TRANSISTOR			or HZ30-2LTD	Z DIODE (M)	
		Q7201	2SA720/RS/-T	TRANSISTOR	D6551		MTZJ10B	ZENER DIODE	
		D1	1SS133	DIODE	D7001		RD9.1ES/B2/-T2	ZENER DIODE	
			or 1SS270A	DIODE			or UZ9.1BSB	ZENER DIODE	
		D2	1SS133	DIODE			or MTZJ9.1B	ZENER DIODE	
			or 1SS270A	DIODE	D7003		1SS133	DIODE	
		D12	1SS270A	DIODE			or 1SS270A	DIODE	
			or 1SS133	DIODE	D7004		1SS133	DIODE	
		D2202	MTZJ9.1B	ZENER DIODE			or 1SS270A	DIODE	
		D3001	LNB2301L01VI	LE DIODE	D7005		1SS133	DIODE	
		D3002	1SS133	DIODE			or 1SS270A	DIODE	
			or 1SS270A	DIODE	D7006		1SS133	DIODE	
		D3005	11ES2	DIODE			or 1SS270A	DIODE	
		D3007	1SS355	DIODE	D7008		SLR-325MC-T	LE DIODE	
		D3013	DA204U	DIODE	D7009		SLR-325VC-T	LE DIODE	
		D5001	S1WB/A/60-4102	BRIDGE DIODE	R1		NRVA02D-622X	CMF RESISTOR	6.2kΩ, 1/10W
			or S1WB/A/60-X	BRIDGE DIODE	R2		NRVA02D-152X	CMF RESISTOR	1.5kΩ, 1/10W
			or S1WB(A)60F4072X	BRIDGE DIODE	R3		NRSA02J-152X	MG RESISTOR	1.5kΩ, 1/10W
		D5101	AU01	FR DIODE	R6		NRSA02J-103X	MG RESISTOR	10kΩ, 1/10W
			or ERA18-04-T2	FR DIODE	R7		NRSA02J-102X	MG RESISTOR	1kΩ, 1/10W
			or 10ELS4	FR DIODE	R8		NRSA02J-0R0X	MG RESISTOR	0Ω, 1/10W
			or 1SR153-400-T2	FR DIODE	R9		NRSA02J-0R0X	MG RESISTOR	0Ω, 1/10W
		D5102	AU01	FR DIODE	R12		NRSA02J-0R0X	MG RESISTOR	0Ω, 1/10W
			or ERA18-04-T2	FR DIODE	R21		NRSA02J-102X	MG RESISTOR	1kΩ, 1/10W
			or 1SR153-400-T2	FR DIODE	R22		NRSA02J-102X	MG RESISTOR	1kΩ, 1/10W
			or 10ELS4	FR DIODE	R25		NRSA02J-103X	MG RESISTOR	10kΩ, 1/10W
		D5103	1SS133	DIODE	R26		NRSA02J-822X	MG RESISTOR	8.2kΩ, 1/10W
			or 1SS270A	DIODE	R27		NRSA02J-102X	MG RESISTOR	1kΩ, 1/10W
		D5201	AU01Z	FR DIODE	R28		NRSA02J-102X	MG RESISTOR	1kΩ, 1/10W
			or 10ELS2	FR DIODE	R29		NRSA02J-222X	MG RESISTOR	2.2kΩ, 1/10W
		D5203	AU01Z	FR DIODE	R30		NRSA02J-0R0X	MG RESISTOR	0Ω, 1/10W
			or 10ELS2	FR DIODE	R31		NRSA02J-122X	MG RESISTOR	1.2kΩ, 1/10W
		D5204	AU01Z	FR DIODE	R32		NRSA02J-102X	MG RESISTOR	1kΩ, 1/10W
			or 10ELS2	FR DIODE	R33		NDC21HJ-7R0X	CAPACITOR	7pF, 50V
		D5206	FMB-24	BARRIER DIODE	R34		NDC21HJ-270X	CAPACITOR	27pF, 50V
			or FSQ05A04B	SB DIODE	R36		NRSA02J-182X	MG RESISTOR	1.8kΩ, 1/10W
			or SB640FCT	SB DIODE	R39		NRSA02J-0R0X	MG RESISTOR	0Ω, 1/10W
			or YG801C04	SB DIODE	R42		NRSA02J-681X	MG RESISTOR	680Ω, 1/10W
			or SF5SC4	SB DIODE	R44		NRSA02J-223X	MG RESISTOR	22kΩ, 1/10W
		D5210	AU01Z	FR DIODE	R45		NRSA02J-333X	MG RESISTOR	33kΩ, 1/10W
			or ERA18-02-T2	FR DIODE	R46		NRSA02J-471X	MG RESISTOR	470Ω, 1/10W

#	△ REF No.	PART No.	PART NAME, DESCRIPTION	#	△ REF No.	PART No.	PART NAME, DESCRIPTION
R48		NRSA02J-102X	MG RESISTOR 1kΩ,1/10W	R2019		NRSA02J-472X	MG RESISTOR 4.7kΩ,1/10W
R68		NRSA02J-222X	MG RESISTOR 2.2kΩ,1/10W	R2053		NRSA02J-472X	MG RESISTOR 4.7kΩ,1/10W
R77		NRSA02J-103X	MG RESISTOR 10kΩ,1/10W	R2054		NRSA02J-123X	MG RESISTOR,S3900U/U(C) 12kΩ,1/10W
R90		NRSA02J-471X	MG RESISTOR 470Ω,1/10W			NRSA02J-153X	MG RESISTOR,S5900U/U(C) 15kΩ,1/10W
R92		NRSA02J-0R0X	MG RESISTOR 0Ω,1/10W	R2055		NRSA02J-3R3X	MG RESISTOR 3.3Ω,1/10W
R93		NRSA02J-102X	MG RESISTOR 1kΩ,1/10W	R2056		QRE141J-820Y	RESISTOR,S3900U/U(C) 82Ω,1/4W
R104		NRSA02J-682X	MG RESISTOR 6.8kΩ,1/10W			QRE141J-101Y	RESISTOR,S5900U/U(C) 100Ω,1/4W
R118		NRSA02J-0R0X	MG RESISTOR 0Ω,1/10W	R2057		NRSA02J-473X	MG RESISTOR 47kΩ,1/10W
R120		NRSA02J-103X	MG RESISTOR 10kΩ,1/10W	R2058		NRSA02J-183X	MG RESISTOR 18kΩ,1/10W
R201		NRSA02J-332X	MG RESISTOR 3.3kΩ,1/10W	R2059		NRSA02J-473X	MG RESISTOR 47kΩ,1/10W
R202		NRSA02J-222X	MG RESISTOR 2.2kΩ,1/10W	R2060		NRSA02J-183X	MG RESISTOR 18kΩ,1/10W
R401		NRSA02J-221X	MG RESISTOR,S5900U/U(C) 220Ω,1/10W	R2061		NRSA02J-273X	MG RESISTOR,S5900U/U(C) 27kΩ,1/10W
R402		NRSA02J-102X	MG RESISTOR,S5900U/U(C) 1kΩ,1/10W	R2062		NRSA02J-3R3X	MG RESISTOR,S5900U/U(C) 3.3Ω,1/10W
R403		NRSA02J-391X	MG RESISTOR,S5900U/U(C) 390Ω,1/10W	R2063		NRSA02J-151X	MG RESISTOR,S5900U/U(C) 150Ω,1/10W
R404		NRSA02J-473X	MG RESISTOR,S5900U/U(C) 47kΩ,1/10W	R2064		NRSA02J-473X	MG RESISTOR,S5900U/U(C) 47kΩ,1/10W
R405		NRSA02J-683X	MG RESISTOR,S5900U/U(C) 68kΩ,1/10W	R2065		NRSA02J-183X	MG RESISTOR,S5900U/U(C) 18kΩ,1/10W
R407		NRSA02J-472X	MG RESISTOR,S5900U/U(C) 4.7kΩ,1/10W	R2201		NRSA02J-680X	MG RESISTOR 68Ω,1/10W
R408		NRSA02J-473X	MG RESISTOR,S5900U/U(C) 47kΩ,1/10W	R2204		NRSA02J-0R0X	MG RESISTOR 0Ω,1/10W
R503		NRSA02J-221X	MG RESISTOR 220Ω,1/10W	R2205		NRSA02J-0R0X	MG RESISTOR 0Ω,1/10W
R504		NRSA02J-332X	MG RESISTOR 3.3kΩ,1/10W	R2206		NRSA02J-101X	MG RESISTOR 100Ω,1/10W
R505		NRSA02J-392X	MG RESISTOR 3.9kΩ,1/10W	R2207		NRSA02J-332X	MG RESISTOR 3.3kΩ,1/10W
R506		NRSA02J-391X	MG RESISTOR 390Ω,1/10W	R2217		NRSA02J-103X	MG RESISTOR 10kΩ,1/10W
R507		NRSA02J-122X	MG RESISTOR 1.2kΩ,1/10W	R2218		NRSA02J-393X	MG RESISTOR 39kΩ,1/10W
R508		NRSA02J-151X	MG RESISTOR 150Ω,1/10W	R2219		NRSA02J-393X	MG RESISTOR 39kΩ,1/10W
R509		NRSA02J-162X	MG RESISTOR 1.6kΩ,1/10W	R2223		NRSA02J-123X	MG RESISTOR 12kΩ,1/10W
R510		NRVA02D-102X	CMF RESISTOR 1kΩ,1/10W	R2224		NRSA02J-123X	MG RESISTOR 12kΩ,1/10W
R511		NRVA02D-471X	CMF RESISTOR 470Ω,1/10W	R2232		NRSA02J-680X	MG RESISTOR 68Ω,1/10W
R512		NRVA02D-102X	CMF RESISTOR 1kΩ,1/10W	R2251		QRE141J-102Y	RESISTOR 1kΩ,1/4W
R513		NRVA02D-152X	CMF RESISTOR 1.5kΩ,1/10W	R3003		NRSA02J-102X	MG RESISTOR 1kΩ,1/10W
R514		NRVA02D-332X	CMF RESISTOR 3.3kΩ,1/10W	R3005		NRSA02J-102X	MG RESISTOR 1kΩ,1/10W
R515		NRVA02D-332X	CMF RESISTOR 3.3kΩ,1/10W	R3008		QUY160-100Y	IM BUS WIRE,S5900U/U(C)
R901		NRSA02J-820X	MG RESISTOR 82Ω,1/10W	R3013		NRSA02J-0R0X	MG RESISTOR 0Ω,1/10W
R902		NRSA02J-152X	MG RESISTOR 1.5kΩ,1/10W	R3017		NRSA02J-102X	MG RESISTOR 1kΩ,1/10W
R904		QRE123J-331X	RESISTOR 330Ω,1/2W	R3018		NRSA02J-102X	MG RESISTOR 1kΩ,1/10W
R905		NRSA02J-101X	MG RESISTOR 100Ω,1/10W	R3021		NRSA02J-102X	MG RESISTOR 1kΩ,1/10W
R911		NRSA02J-750X	MG RESISTOR 75Ω,1/10W	R3022		NRSA02J-102X	MG RESISTOR 1kΩ,1/10W
R912		NRSA02J-750X	MG RESISTOR 75Ω,1/10W	R3028		NRSA02J-102X	MG RESISTOR 1kΩ,1/10W
R914		NRSA02J-750X	MG RESISTOR 75Ω,1/10W	R3035		NRSA02J-102X	MG RESISTOR 1kΩ,1/10W
R915		NRSA02J-750X	MG RESISTOR 75Ω,1/10W	R3043		NRSA02J-0R0X	MG RESISTOR 0Ω,1/10W
R916		NRSA02J-750X	MG RESISTOR 75Ω,1/10W	R3058		NRSA02J-102X	MG RESISTOR 1kΩ,1/10W
R917		NRSA02J-750X	MG RESISTOR 75Ω,1/10W	R3060		NRSA02J-102X	MG RESISTOR 1kΩ,1/10W
R919		QRE123J-331X	RESISTOR 330Ω,1/2W	R3078		NRSA02J-102X	MG RESISTOR 1kΩ,1/10W
R920		NRSA02J-101X	MG RESISTOR 100Ω,1/10W	R3088		NRSA02J-102X	MG RESISTOR 1kΩ,1/10W
R921		NRSA02J-101X	MG RESISTOR 100Ω,1/10W	R3090		NRSA02J-102X	MG RESISTOR 1kΩ,1/10W
R922		QRE123J-331X	RESISTOR 330Ω,1/2W	R3094		NRSA02J-102X	MG RESISTOR 1kΩ,1/10W
R924		NRSA02J-750X	MG RESISTOR,S5900U/U(C) 75Ω,1/10W	R3095		NRSA02J-0R0X	MG RESISTOR 0Ω,1/10W
R925		NRSA02J-750X	MG RESISTOR,S5900U/U(C) 75Ω,1/10W	R3096		NRSA02J-102X	MG RESISTOR 1kΩ,1/10W
R2001		NRSA02J-101X	MG RESISTOR 100Ω,1/10W	R3097		NRSA02J-102X	MG RESISTOR 1kΩ,1/10W
R2003		NRSA02J-101X	MG RESISTOR 100Ω,1/10W	R3098		NRSA02J-102X	MG RESISTOR 1kΩ,1/10W
R2004		NRSA02J-332X	MG RESISTOR 3.3kΩ,1/10W	R3099		NRSA02J-102X	MG RESISTOR 1kΩ,1/10W
R2005		NRSA02J-103X	MG RESISTOR 10kΩ,1/10W	R3201		NRSA02J-332X	MG RESISTOR 3.3kΩ,1/10W
R2006		NRSA02J-393X	MG RESISTOR 39kΩ,1/10W	R3206		NRSA02J-103X	MG RESISTOR 10kΩ,1/10W
R2007		NRSA02J-393X	MG RESISTOR 39kΩ,1/10W	R3207		NRSA02J-103X	MG RESISTOR 10kΩ,1/10W
R2009		NRSA02J-123X	MG RESISTOR 12kΩ,1/10W	R3208		NRSA02J-103X	MG RESISTOR 10kΩ,1/10W
R2010		NRSA02J-123X	MG RESISTOR 12kΩ,1/10W	R3209		QRE141J-181Y	RESISTOR 180Ω,1/4W
R2013		NRSA02J-682X	MG RESISTOR 6.8kΩ,1/10W	R3211		NRSA02J-183X	MG RESISTOR 18kΩ,1/10W
R2014		NRSA02J-224X	MG RESISTOR 220kΩ,1/10W	R3212		NRSA02J-181X	MG RESISTOR 180Ω,1/10W
R2015		NRSA02J-181X	MG RESISTOR 180Ω,1/10W	R3213		NRSA02J-273X	MG RESISTOR 27kΩ,1/10W
R2016		NRSA02J-473X	MG RESISTOR 47kΩ,1/10W	R3214		NRSA02J-181X	MG RESISTOR 180Ω,1/10W
R2017		NRSA02J-153X	MG RESISTOR 15kΩ,1/10W	R3215		NRSA02J-273X	MG RESISTOR 27kΩ,1/10W
R2018		NRSA02J-472X	MG RESISTOR 4.7kΩ,1/10W	R3216		QRE141J-474Y	RESISTOR 470kΩ,1/4W



#	△	REF No.	PART No.	PART NAME, DESCRIPTION	#	△	REF No.	PART No.	PART NAME, DESCRIPTION	
		R3217	NRSA02J-334X	MG RESISTOR			R6032	NRSA02J-123X	MG RESISTOR	12kΩ,1/10W
		R3218	NRSA02J-103X	MG RESISTOR			R6050	QRE141J-330Y	RESISTOR	33Ω,1/4W
		R3219	QRE141J-103Y	RESISTOR			R6051	QRE141J-102Y	RESISTOR	1kΩ,1/4W
		R3220	NRSA02J-103X	MG RESISTOR			R6508	QUY153-050Y	IM BUS WIRE	
		R3221	NRSA02J-562X	MG RESISTOR			R6510	NRSA02J-0R0X	MG RESISTOR	0Ω,1/10W
		R3222	NRSA02J-472X	MG RESISTOR			R6551	NRSA02J-271X	MG RESISTOR	270Ω,1/10W
		R3223	NRSA02J-105X	MG RESISTOR			R6552	NRSA02J-101X	MG RESISTOR	100Ω,1/10W
		R3224	NRSA02J-101X	MG RESISTOR			R7001	NRSA02J-103X	MG RESISTOR	10kΩ,1/10W
		R3226	NRSA02J-472X	MG RESISTOR			R7002	NRSA02J-103X	MG RESISTOR	10kΩ,1/10W
		R3227	NRSA02J-472X	MG RESISTOR			R7003	NRSA02J-103X	MG RESISTOR	10kΩ,1/10W
		R3236	NRSA02J-103X	MG RESISTOR			R7004	NRSA02J-103X	MG RESISTOR	10kΩ,1/10W
		R3237	NRSA02J-103X	MG RESISTOR			R7005	NRSA02J-472X	MG RESISTOR	4.7kΩ,1/10W
		R3238	NRSA02J-103X	MG RESISTOR			R7006	NRSA02J-471X	MG RESISTOR	470Ω,1/10W
		R3240	NRSA02J-103X	MG RESISTOR			R7007	NRSA02J-103X	MG RESISTOR	10kΩ,1/10W
		R3241	NRSA02J-103X	MG RESISTOR			R7008	NRSA02J-563X	MG RESISTOR	56kΩ,1/10W
		R3242	NRSA02J-0R0X	MG RESISTOR			R7009	QRE141J-103Y	RESISTOR	10kΩ,1/4W
		R3243	QRE141J-103Y	RESISTOR			R7010	NRSA02J-0R0X	MG RESISTOR	0Ω,1/10W
		R3244	NRSA02J-103X	MG RESISTOR			R7011	NRSA02J-333X	MG RESISTOR	33kΩ,1/10W
		R4001	NRSA02J-222X	MG RESISTOR			R7012	QRE141J-333Y	RESISTOR	33kΩ,1/4W
		R4002	NRSA02J-562X	MG RESISTOR			R7013	NRSA02J-333X	MG RESISTOR	33kΩ,1/10W
		R4003	NRSA02J-222X	MG RESISTOR			R7014	NRSA02J-333X	MG RESISTOR	33kΩ,1/10W
		R4006	NRSA02J-272X	MG RESISTOR			R7015	NRSA02J-472X	MG RESISTOR	4.7kΩ,1/10W
		R4010	NRSA02J-471X	MG RESISTOR			R7016	NRSA02J-103X	MG RESISTOR	10kΩ,1/10W
		R4011	NRSA02J-471X	MG RESISTOR			R7017	NRSA02J-331X	MG RESISTOR	330Ω,1/10W
		R4012	NRSA02J-153X	MG RESISTOR			R7018	NRSA02J-331X	MG RESISTOR	330Ω,1/10W
		R4018	NRSA02J-103X	MG RESISTOR			R7022	NRSA02J-0R0X	MG RESISTOR	0Ω,1/10W
		R4019	NRSA02J-102X	MG RESISTOR			R7026	QUY160-100Y	IM BUS WIRE	
		R4020	NRSA02J-102X	MG RESISTOR			R7035	NRSA02J-0R0X	MG RESISTOR	0Ω,1/10W
		R4021	NRSA02J-103X	MG RESISTOR			R7202	NRSA02J-471X	MG RESISTOR	470Ω,1/10W
		R4024	QRE141J-103Y	RESISTOR			R7203	NRSA02J-222X	MG RESISTOR	2.2kΩ,1/10W
△		R5001	QRZ9046-475Z	RESISTOR			R7204	QRE123J-100X	RESISTOR	10Ω,1/2W
		R5101	QRE141J-224Y	RESISTOR			B3	NRSA02J-0R0X	MG RESISTOR	0Ω,1/10W
		R5102	QRE141J-224Y	RESISTOR			B6	NRSA02J-0R0X	MG RESISTOR	0Ω,1/10W
		R5103	QRE141J-683Y	RESISTOR			B8	NRSA02J-0R0X	MG RESISTOR	0Ω,1/10W
		R5104	QRG02GJ-683	OMF RESISTOR			B11	NRSA02J-0R0X	MG RESISTOR	0Ω,1/10W
		R5106	QRT01DJ-R39X	MF RESISTOR			B33	NRSA02J-0R0X	MG RESISTOR	0Ω,1/10W
		R5107	QRE121J-331Y	RESISTOR			B43	NRSA02J-0R0X	MG RESISTOR	0Ω,1/10W
		R5108	NRSA02J-122X	MG RESISTOR			B2051	QUY153-050Y	IM BUS WIRE,S3900U/U(C)	
		R5109	NRSA02J-681X	MG RESISTOR			B3001	NRSA02J-0R0X	MG RESISTOR	0Ω,1/10W
		R5110	NRSA02J-224X	MG RESISTOR			B5301	NRSA02J-0R0X	MG RESISTOR	0Ω,1/10W
		R5301	NRSA02J-472X	MG RESISTOR			B5303	NRSA02J-0R0X	MG RESISTOR	0Ω,1/10W
		R5302	NRSA02J-102X	MG RESISTOR			B5304	NRSA02J-0R0X	MG RESISTOR	0Ω,1/10W
		R5303	NRSA02J-122X	MG RESISTOR			B5308	NRSA02J-0R0X	MG RESISTOR	0Ω,1/10W
		R5304	NRSA02J-471X	MG RESISTOR			B6020	NRSA02J-0R0X	MG RESISTOR	0Ω,1/10W
		R5305	NRSA02J-102X	MG RESISTOR			B6550	QUY160-080Y	IM BUS WIRE	
		R5306	NRSA02J-471X	MG RESISTOR			B6551	QUY160-080Y	IM BUS WIRE	
		R5308	NRSA02J-471X	MG RESISTOR			B7002	NRSA02J-0R0X	MG RESISTOR	0Ω,1/10W
		R5309	NRSA02J-103X	MG RESISTOR			B7003	NRSA02J-0R0X	MG RESISTOR	0Ω,1/10W
		R5310	NRSA02J-471X	MG RESISTOR			B7004	NRSA02J-0R0X	MG RESISTOR	0Ω,1/10W
		R5311	NRSA02J-473X	MG RESISTOR			B7005	NRSA02J-0R0X	MG RESISTOR	0Ω,1/10W
		R5312	NRVA02D-332X	CMF RESISTOR			B7006	NRSA02J-0R0X	MG RESISTOR	0Ω,1/10W
		R5313	NRVA02D-362X	CMF RESISTOR			B7007	NRSA02J-0R0X	MG RESISTOR	0Ω,1/10W
		R5314	NRSA02J-102X	MG RESISTOR			B7013	QUY160-060Y	IM BUS WIRE	
		R5316	NRVA02D-822X	CMF RESISTOR			B7020	NRSA02J-0R0X	MG RESISTOR	0Ω,1/10W
△		R5318	QRZ9005-221X	FUSI RESISTOR			B7022	NRSA02J-0R0X	MG RESISTOR	0Ω,1/10W
		R5326	QUY153-050Y	IM BUS WIRE			C1	NCB21HK-103X	CAPACITOR,S3900U/U(C)	0.01μF,50V
		R5332	QRE141J-222Y	RESISTOR				NCF21CZ-105X	CAPACITOR,S5900U/U(C)	1μF,16V
		R6020	NRSA02J-102X	MG RESISTOR			C2	NCB21HK-103X	CAPACITOR,S3900U/U(C)	0.01μF,50V
		R6021	NRSA02J-102X	MG RESISTOR				NCF21CZ-105X	CAPACITOR,S5900U/U(C)	1μF,16V
		R6030	NRSA02J-332X	MG RESISTOR			C3	NCB21HK-103X	CAPACITOR,S3900U/U(C)	0.01μF,50V
		R6031	NRSA02J-101X	MG RESISTOR				NCF21CZ-105X	CAPACITOR,S5900U/U(C)	1μF,16V

#	△ REF No.	PART No.	PART NAME, DESCRIPTION	#	△ REF No.	PART No.	PART NAME, DESCRIPTION
C4		NCB21HK-103X	CAPACITOR,S3900U/U(C) 0.01μF,50V	C403		NDC21HJ-151X	CAPACITOR,S5900U/U(C) 150pF,50V
		NCF21CZ-105X	CAPACITOR,S5900U/U(C) 1μF,16V	C404		NDC21HJ-470X	CAPACITOR,S5900U/U(C) 47pF,50V
C5		QEKJ0JM-476	E CAPACITOR 47μF,6.3V	C406		NCB21HK-681X	CAPACITOR,S5900U/U(C) 680pF,50V
C7		NDC21HJ-151X	CAPACITOR 150pF,50V	C407		NDC21HJ-180X	CAPACITOR,S5900U/U(C) 18pF,50V
C8		NCB21EK-104X	CAPACITOR 0.1μF,25V	C501		QEKJ1HM-225	E CAPACITOR 2.2μF,50V
C9		NCB21HK-103X	CAPACITOR 0.01μF,50V	C502		QEKJ1HM-104	E CAPACITOR 0.1μF,50V
C10		NDC21HG-151X	CAPACITOR 150pF,50V	C503		QEKJ1HM-225	E CAPACITOR 2.2μF,50V
C11		NCB21EK-104X	CAPACITOR 0.1μF,25V	C504		NCB21EK-104X	CAPACITOR 0.1μF,25V
C12		NDC21HJ-7R0X	CAPACITOR 7pF,50V	C505		QEKJ1EM-475	E CAPACITOR 4.7μF,25V
C14		NCB21EK-104X	CAPACITOR 0.1μF,25V	C506		NCB21HK-103X	CAPACITOR 0.01μF,50V
C15		NCB21HK-103X	CAPACITOR 0.01μF,50V	C507		QEKJ0JM-476	E CAPACITOR 47μF,6.3V
C16		NCB21EK-104X	CAPACITOR 0.1μF,25V	C508		QEKJ1HM-474	E CAPACITOR 0.47μF,50V
C17		QEKJ1HM-335	E CAPACITOR 3.3μF,50V	C509		QEKJ1CM-106	E CAPACITOR 10μF,16V
C19		QEKJ0JM-336	E CAPACITOR 33μF,6.3V	C510		QEKJ0JM-476	E CAPACITOR 47μF,6.3V
C20		QEKJ1HM-105	E CAPACITOR 1μF,50V	C511		NCB21HK-103X	CAPACITOR 0.01μF,50V
C21		NCB21EK-104X	CAPACITOR 0.1μF,25V	C512		NCB21HK-103X	CAPACITOR 0.01μF,50V
C22		QEKJ0JM-476	E CAPACITOR 47μF,6.3V	C513		QEKJ1EM-475	E CAPACITOR 4.7μF,25V
C23		NCB21HK-103X	CAPACITOR 0.01μF,50V	C514		NCB21HK-103X	CAPACITOR 0.01μF,50V
C24		NCB21EK-104X	CAPACITOR 0.1μF,25V	C515		QCB1HK-103	CAPACITOR 0.01μF,50V
C25		NDC21HJ-4R0X	CAPACITOR 4pF,50V	C516		NCB21HK-103X	CAPACITOR 0.01μF,50V
C26		NCB21HK-103X	CAPACITOR 0.01μF,50V	C517		NCB21HK-103X	CAPACITOR 0.01μF,50V
C27		NCB21HK-223X	CAPACITOR 0.022μF,50V	C518		NCB21EK-104X	CAPACITOR 0.1μF,25V
C28		QEKJ1HM-335	E CAPACITOR 3.3μF,50V	C519		QERF1HM-225	E CAPACITOR 2.2μF,50V
C29		NCB21HK-472X	CAPACITOR 0.0047μF,50V	C520		QERF1EM-475	E CAPACITOR 4.7μF,25V
C30		QEKJ1HM-474	E CAPACITOR 0.47μF,50V	C521		QEKJ1EM-475	E CAPACITOR 4.7μF,25V
C31		QEKJ0JM-476	E CAPACITOR 47μF,6.3V	C522		QEKJ1HM-225	E CAPACITOR 2.2μF,50V
C32		QCB1HK-103	CAPACITOR 0.01μF,50V	C523		QEKJ1HM-225	E CAPACITOR 2.2μF,50V
C33		QEKJ1HM-225	E CAPACITOR 2.2μF,50V	C524		NDC21HG-301X	CAPACITOR 300pF,50V
C34		NCB21EK-104X	CAPACITOR 0.1μF,25V	C525		NDC21HG-301X	CAPACITOR 300pF,50V
C35		NCB21EK-104X	CAPACITOR 0.1μF,25V	C526		NDC21HJ-101X	CAPACITOR 100pF,50V
C36		QEKJ1HM-475	E CAPACITOR 4.7μF,50V	C527		NDC21HJ-181X	CAPACITOR 180pF,50V
C37		QEKJ1HM-105	E CAPACITOR 1μF,50V	C528		NDC21HG-271X	CAPACITOR 270pF,50V
C38		QEKJ0JM-476	E CAPACITOR 47μF,6.3V	C529		NDC21HG-820X	CAPACITOR 82pF,50V
C39		NCB21HK-103X	CAPACITOR 0.01μF,50V	C530		NDC21HG-221X	CAPACITOR 220pF,50V
C40		QEKJ1EM-106	E CAPACITOR 10μF,25V	C531		NDC21HG-301X	CAPACITOR 300pF,50V
C54		NCB21HK-103X	CAPACITOR 0.01μF,50V	C532		NDC21HG-301X	CAPACITOR 300pF,50V
C57		NCB21HK-103X	CAPACITOR 0.01μF,50V	C533		NCB21HK-103X	CAPACITOR 0.01μF,50V
C59		NCB21HK-103X	CAPACITOR 0.01μF,50V	C534		QEKJ0JM-476	E CAPACITOR 47μF,6.3V
C60		QEKJ0JM-476	E CAPACITOR 47μF,6.3V	C535		NCB21HK-103X	CAPACITOR 0.01μF,50V
C61		NCB21HK-103X	CAPACITOR 0.01μF,50V	C551		QERF1HM-105	E CAPACITOR 1μF,50V
C63		NCB21EK-104X	CAPACITOR 0.1μF,25V	C552		NRSA02J-0R0X	MG RESISTOR 0Ω,1/10W
C64		NDC21HJ-120X	CAPACITOR 12pF,50V	C553		NCB21HK-103X	CAPACITOR 0.01μF,50V
C69		NCB21HK-103X	CAPACITOR,S3900U/U(C) 0.01μF,50V	C555		NRSA02J-0R0X	MG RESISTOR 0Ω,1/10W
C70		NCB21HK-103X	CAPACITOR,S3900U/U(C) 0.01μF,50V	C557		QERF1HM-105	E CAPACITOR,S5900U/U(C) 1μF,50V
C71		NCB21HK-103X	CAPACITOR 0.01μF,50V	C558		NRSA02J-0R0X	MG RESISTOR 0Ω,1/10W
C72		NDC21HJ-470X	CAPACITOR 47pF,50V	C559		NCB21HK-103X	CAPACITOR,S5900U/U(C) 0.01μF,50V
C73		NDC21HJ-120X	CAPACITOR 12pF,50V	C560		QERF1HM-105	E CAPACITOR 1μF,50V
C74		NDC21HJ-120X	CAPACITOR 12pF,50V	C561		QERF1HM-105	E CAPACITOR 1μF,50V
C80		NCB21HK-103X	CAPACITOR 0.01μF,50V	C563		NCB21HK-103X	CAPACITOR 0.01μF,50V
C84		NRSA02J-822X	MG RESISTOR 8.2kΩ,1/10W	C567		NCB21HK-103X	CAPACITOR 0.01μF,50V
C106		NRSA02J-0R0X	MG RESISTOR 0Ω,1/10W	C901		QETN0JM-477	E CAPACITOR 470μF,6.3V
C110		NCB21HK-331X	CAPACITOR 330pF,50V	C904		NCB21HK-103X	CAPACITOR 0.01μF,50V
C137		NCB21HK-103X	CAPACITOR 0.01μF,50V	C911		NRSA02J-0R0X	MG RESISTOR 0Ω,1/10W
C201		QEKJ0JM-107	E CAPACITOR 100μF,6.3V	C912		NCB21HK-103X	CAPACITOR 0.01μF,50V
C202		NCB21EK-104X	CAPACITOR 0.1μF,25V	C913		QETN0JM-477	E CAPACITOR 470μF,6.3V
C203		QEKJ1HM-105	E CAPACITOR 1μF,50V	C914		NRSA02J-0R0X	MG RESISTOR,S5900U/U(C) 0Ω,1/10W
C205		NDC21HJ-101X	CAPACITOR 100pF,50V	C2001		QEKJ1HM-475	E CAPACITOR 4.7μF,50V
C207		NCF21CZ-105X	CAPACITOR 1μF,16V	C2002		QEKJ1EM-106	E CAPACITOR 10μF,25V
C220		NDC21HJ-101X	CAPACITOR 100pF,50V	C2003		QEKJ0JM-476	E CAPACITOR 47μF,6.3V
C401		NCB21HK-103X	CAPACITOR,S5900U/U(C) 0.01μF,50V	C2005		QEKJ1HM-475	E CAPACITOR 4.7μF,50V
C402		NCB21HK-223X	CAPACITOR,S5900U/U(C) 0.022μF,50V	C2006		NCB21HK-123X	CAPACITOR 0.012μF,50V

#	△	REF No.	PART No.	PART NAME, DESCRIPTION	#	△	REF No.	PART No.	PART NAME, DESCRIPTION
C2007			QEKJ1CM-226	E CAPACITOR 22μF,16V	C4010			QERF0JM-476	E CAPACITOR 47μF,6.3V
C2008			QEKJ1HM-475	E CAPACITOR 4.7μF,50V	C4011			NCB21CK-224X	CAPACITOR 0.22μF,16V
C2009			NCB21HK-102X	CAPACITOR 0.001μF,50V	C4014			NDC21HJ-101X	CAPACITOR 100pF,50V
C2010			NCB21HK-222X	CAPACITOR 0.0022μF,50V	C4015			NDC21HJ-101X	CAPACITOR 100pF,50V
C2011			QEKJ1HM-475	E CAPACITOR 4.7μF,50V	C4019			NCB21HK-103X	CAPACITOR 0.01μF,50V
C2012			QEKJ1HM-475	E CAPACITOR 4.7μF,50V	C4022			NDC21HJ-101X	CAPACITOR 100pF,50V
C2051			NCB21HK-331X	CAPACITOR 330pF,50V	△ C5001			QFZ9073-683	F CAPACITOR 0.068μF,250V
C2052			QFLC1HJ-823Z	F CAPACITOR,S3900U/U(C) 0.082μF,50V	△ C5004			QCZ9094-472	CAPACITOR 0.0047μF,125V
			QFLC1HJ-333Z	F CAPACITOR,S5900U/U(C) 0.033μF,50V	C5006			QETM2DM-157	E CAPACITOR 150μF,200V
C2053			NCB21HK-332X	CAPACITOR,S5900U/U(C) 0.0033μF,50V	C5101			QCZ0212-472	CAPACITOR 0.0047μF,1kV
			NCB21HK-472X	CAPACITOR,S3900U/U(C) 0.0047μF,50V	C5102			QCZ0339-101Z	CAPACITOR 100pF,1kV
C2054			NCB21EK-223X	CAPACITOR,S3900U/U(C) 0.022μF,25V	C5104			QEKJ1HM-105	E CAPACITOR 1μF,50V
			NCB21HK-103X	CAPACITOR,S5900U/U(C) 0.01μF,50V	C5105			QFN31HJ-183	F CAPACITOR 0.018μF,50V
C2055			QEKJ1EM-106	E CAPACITOR 10μF,25V	C5107			QFV91HJ-104	F CAPACITOR 0.1μF,50V
C2061			QFLC1HJ-333Z	F CAPACITOR,S5900U/U(C) 0.033μF,50V	C5201			QEMU0JM-227	E CAPACITOR 220μF,6.3V
C2062			NCB21HK-332X	CAPACITOR,S5900U/U(C) 0.0033μF,50V	C5202			QETN1CM-108	E CAPACITOR 1000μF,16V
C2063			NCB21HK-103X	CAPACITOR,S5900U/U(C) 0.01μF,50V	C5203			QEMT1AM-128	E CAPACITOR 1200μF,10V
C2064			QEKJ1EM-106	E CAPACITOR,S5900U/U(C) 10μF,25V	C5204			QETJ2AM-475	E CAPACITOR 4.7μF,100V
C2201			NCB21EK-104X	CAPACITOR 0.1μF,25V	C5205			QETN1HM-106	E CAPACITOR 10μF,50V
C2202			NCB21EK-333X	CAPACITOR 0.033μF,25V	C5206			QETN1AM-476	E CAPACITOR 47μF,10V
C2203			QEKJ1EM-106	E CAPACITOR 10μF,25V	C5207			QETN1CM-107	E CAPACITOR 100μF,16V
C2204			NCB21HK-102X	CAPACITOR 0.001μF,50V	C5301			QEKJ1CM-107	E CAPACITOR 100μF,16V
C2205			QEKJ1HM-105	E CAPACITOR 1μF,50V	C5302			QEKJ1HM-106	E CAPACITOR 10μF,50V
C2206			QEKJ1EM-106	E CAPACITOR 10μF,25V	C5303			QEKJ1CM-107	E CAPACITOR 100μF,16V
C2207			QEKJ1CM-476	E CAPACITOR 47μF,16V	C5304			NCB21HK-102X	CAPACITOR 0.001μF,50V
C2208			QEKJ1HM-475	E CAPACITOR 4.7μF,50V	C5305			QFV91HJ-154	F CAPACITOR 0.15μF,50V
C2209			QEKJ1HM-104	E CAPACITOR 0.1μF,50V	C5311			NCB21HK-103X	CAPACITOR 0.01μF,50V
C2210			QEKJ1HM-104	E CAPACITOR 0.1μF,50V	C6029			NRSA02J-0R0X	MG RESISTOR 0Ω,1/10W
C2215			QEKJ1HM-475	E CAPACITOR 4.7μF,50V	C7001			QEKJ0JM-476	E CAPACITOR 47μF,6.3V
C2217			QEKJ1EM-106	E CAPACITOR 10μF,25V	C7002			NCB21EK-104X	CAPACITOR 0.1μF,25V
C2219			QEKJ1EM-106	E CAPACITOR 10μF,25V	C7003			QEKJ0JM-476	E CAPACITOR 47μF,6.3V
C2220			QEKJ1HM-475	E CAPACITOR 4.7μF,50V	C7005			NDC21HJ-470X	CAPACITOR 47pF,50V
C2221			NCB21HK-103X	CAPACITOR 0.01μF,50V	C7006			NDC21HJ-330X	CAPACITOR 33pF,50V
C2222			QEKJ1HM-474	E CAPACITOR 0.47μF,50V	C7007			QEKJ1HM-106	E CAPACITOR 10μF,50V
C2223			QEKJ1HM-474	E CAPACITOR 0.47μF,50V	C7008			NCB21HK-102X	CAPACITOR 0.001μF,50V
C2224			NCB21HK-103X	CAPACITOR 0.01μF,50V	C7011			QCFB1HZ-104	CAPACITOR 0.1μF,50V
C2225			QEKJ1HM-475	E CAPACITOR 4.7μF,50V	C7015			QCFB1HZ-104	CAPACITOR 0.1μF,50V
C2226			QEKJ1EM-106	E CAPACITOR 10μF,25V	C7206			QEKJ0JM-227	E CAPACITOR 220μF,6.3V
C2227			NCB21EK-104X	CAPACITOR 0.1μF,25V	L1			QQL29BJ-100Z	COIL 10μH
C2251			QEKJ0JM-476	E CAPACITOR 47μF,6.3V	L2			QQL29BJ-101Z	COIL 100μH
C2252			NCB21HK-103X	CAPACITOR 0.01μF,50V	L3			QQL29BJ-100Z	COIL 10μH
C2253			NCB21HK-103X	CAPACITOR 0.01μF,50V	L4			QQL29BJ-100Z	COIL 10μH
C2254			NCB21HK-103X	CAPACITOR 0.01μF,50V	L5			QQL29BJ-100Z	COIL 10μH
C3001			NCB21EK-104X	CAPACITOR 0.1μF,25V	L11			QQL01BJ-120Z	COIL 12μH
C3003			QEKJ1EM-106	E CAPACITOR 10μF,25V	L13			QQL231J-101Y	COIL 100μH
C3008			NCB21HK-102X	CAPACITOR 0.001μF,50V	L15			QQL29BJ-100Z	COIL 10μH
C3013			QEKJ1EM-106	E CAPACITOR 10μF,25V	L18			QUY153-050Y	IM BUS WIRE
C3016			NDC21HJ-180X	CAPACITOR 18pF,50V	L19			QQL29BJ-100Z	COIL 10μH
C3017			NDC21HJ-270X	CAPACITOR 27pF,50V	L20			QQL231J-101Y	COIL 100μH
C3019			NRSA02J-0R0X	MG RESISTOR 0Ω,1/10W	L28			QQL231J-150Y	COIL 15μH
C3022			NCB21EK-104X	CAPACITOR 0.1μF,25V	L201			QUY153-050Y	IM BUS WIRE
C3023			NCF21CZ-105X	CAPACITOR 1μF,16V	L203			QQL231J-3R3Y	COIL 3.3μH
C3035			NCB21EK-104X	CAPACITOR 0.1μF,25V	L401			QQL231J-150Y	COIL,S5900U/U(C) 15μH
C3036			QERF0JM-107	E CAPACITOR 100μF,6.3V	L402			QUY153-050Y	IM BUS WIRE,S5900U/U(C)
C3048			NCB21HK-103X	CAPACITOR 0.01μF,50V	L501			QQL29BJ-100Z	COIL 10μH
C4001			NCB21EK-104X	CAPACITOR 0.1μF,25V	L503			QQL29BJ-100Z	COIL 10μH
C4002			QERF1HM-105	E CAPACITOR 1μF,50V	L504			QQL29BJ-100Z	COIL 10μH
C4004			QERF1AM-336	E CAPACITOR 33μF,10V	L901			QQL29BJ-101Z	COIL 100μH
C4006			NCB21EK-563X	CAPACITOR 0.056μF,25V	L2001			QUY153-050Y	IM BUS WIRE
C4007			NCB21HK-103X	CAPACITOR 0.01μF,50V	L2251			QQL29BJ-100Z	COIL 10μH
C4009			NCB21HK-102X	CAPACITOR 0.001μF,50V	L4001			QUY153-050Y	IM BUS WIRE

#	△ REF No.	PART No.	PART NAME, DESCRIPTION	
L5201		PELN1184	COIL	33μH
L5202		PU60944-330K	COIL	33μH
L5301		QQL01BJ-101Z	COIL	100μH
L6001		QQL29BK-1R0Z	COIL	1μH
L6003		QQL29BK-1R0Z	COIL	1μH
L6004		QQL071J-1R0Y	COIL	1μH
L6032		QUY153-050Y	IM BUS WIRE	
L6050		QUY153-050Y	IM BUS WIRE	
L7201		QQL29BJ-101Z	COIL	100μH
X2		QAX0575-001	CRYSTAL RESONATOR	
X3001		QAX0526-001	CRYSTAL RESONATOR	
S3001		QSW0602-004	PUSH SWITCH,REC SAFETY	
S3002		QSW0695-001	PUSH SWITCH,S CASS	
S7001		QSW0456-002Z	TACT SWITCH,POWER	
S7002		QSW0456-002Z	TACT SWITCH,REC LINK	
S7004		QSW0456-002Z	TACT SWITCH,SP/EP,S3900U/U(C)	
		QSW0456-002Z	TACT SWITCH,INSERT,S5900U/U(C)	
S7006		QSW0456-002Z	TACT SWITCH,DISPLAY,S3900U/U(C)	
		QSW0456-002Z	TACT SWITCH,A.DUB,S5900U/U(C)	
S7008		QSW0456-002Z	TACT SWITCH,PLAY	
S7010		QSW0456-002Z	TACT SWITCH,E.PROG	
S7011		QSW0456-002Z	TACT SWITCH,REC	
S7013		QSW0456-002Z	TACT SWITCH,PAUSE	
S7015		QSW0456-002Z	TACT SWITCH,STOP/EJECT	
S7016		QSW0456-002Z	TACT SWITCH,SVHS ET	
K2251		NRSA02J-0R0X	MG RESISTOR	0Ω,1/10W
K2252		NRSA02J-0R0X	MG RESISTOR	0Ω,1/10W
K2253		NRSA02J-0R0X	MG RESISTOR	0Ω,1/10W
K5101		QQR0678-001Z	FERRITE BEAD	
K5102		QQR0678-001Z	FERRITE BEAD	
PC3001		GP3S123	IC(PHOTO SENSOR	
PC3002		GP3S123	IC(PHOTO SENSOR	
△ PC5101		PS2501-1	PH COUPLER	
T2051		PELN0832	OSC TRANSFORMER,S3900U/U(C)	
		PELN0860	OSC TRANSFORMER,S5900U/U(C)	
T2052		PELN0861	OSC TRANSFORMER,S5900U/U(C)	
△ T5001		QQS0031-002	SW TRANSFORMER	
ET1		LP30859-001A	EARTH PLATE	
HD1		PQ35479-1-4	HOLDER(FDP),DI7001	
HS1		LP40090-001A	HEAT SINK,Q5101	
△ CD1		QMPD340-165-K	POWER CORD	
SD1		LP30864-001A	SHIELD CASE(PRE)	
DI7001		QLF0031-001	FL TUBE	
TU6001		QAU0207-001	TUNER	
OT1		QYTDSF3010M	SCREW,X2	
OT2		QYTDST3006Z	SCREW,Q5101	
J1		QNN0380-002	PIN JACK,REAR1 IN	
J2		QNN0286-002	PIN JACK,REAR OUT	
J4		QND0076-001	S JACK,REAR S IN	
J5		QND0076-001	S JACK,S_OUT	
△ TB1		LP20887-009A	TERMINAL BOARD	
FC5001		QNG0006-001Z	FUSE CLIP,F5001	
FC5002		QNG0006-001Z	FUSE CLIP,F5001	
FW3001		QUM022-13A4A4	PARA RIBON WIRE	
FW3002		QUM022-30A4A4	PARA RIBON WIRE	
J7101		QNN0381-001	PIN JACK,FRONT IN	
△ LF5002		QQR0532-001	LINE FILTER	
△ VA5001		QAF0023-431Z	VARISTOR	
CN1		QGF1028C1-11	FPC CONNECTOR,(1-11)U.DRUM,S3900U/U(C)	
		QGF1028C1-13	FPC CONNECTOR,(1-13)U.DRUM,S5900U/U(C)	
CN2001		QGF1207C1-07	FPC CONNECTOR,(1-7)A/C HEAD	

#	△ REF No.	PART No.	PART NAME, DESCRIPTION	
CN2002		QGB2532J1-02	CONNECTOR,(1-2)FE HEAD	
CN3001		QGB2015M2-08	CONNECTOR,(1-8)CAPSTAN MOTOR	
CN3002		QGF1207C1-05	FPC CONNECTOR,(1-5)DRUM MDA	
CN3003		QGB2532J1-02	CONNECTOR,(1-2)LOADING MOTOR	
CN3004		QGB2534J2-04	CONNECTOR,(1-4)ROTARY ENCODER	
CN7001		QGF1207C1-09	FPC CONNECTOR,(1-9)ADV.JOG	
CN7103		QGF1207C1-04	FPC CONNECTOR,(1-4)S JACK,S5900U/U(C)	
△ CP4001		ICP-N25	CIRCUIT PROTECTOR	
△ CP5302		ICP-N25	CIRCUIT PROTECTOR	
△ F5001		QMF51N2-1R25J1	FUSE	T1.25A,AC250V

\*\*\*\*\*

### 2D DIGITAL BOARD ASSEMBLY <05>

PW1	LPA10090-05A	2D DIGITAL BOARD ASSY,S5900U/U(C)	
	LPA10090-06A	2D DIGITAL BOARD ASSY,S3900U/U(C)	
IC1201	JCP8036	IC	
△ Q1201	2SC1317/RS-T	TRANSISTOR	
Q1202	2SA1576A/QR/-X	TRANSISTOR	
	or 2PA1576/R/-X	TRANSISTOR	
Q1203	2SA1576A/QR/-X	TRANSISTOR	
	or 2PA1576/R/-X	TRANSISTOR	
Q1204	2SC4081/QRS/-X	TRANSISTOR	
	or 2PC4081/R/-X	TRANSISTOR	
Q1205	2SC4081/S/-X	TRANSISTOR	
D1201	RD4.3ES/B3/-T2	ZENER DIODE	
D1202	QUY153-050Y	IM BUS WIRE	
R1201	NRSA02J-121X	MG RESISTOR	120Ω,1/10W
R1202	NRSA02J-101X	MG RESISTOR	100Ω,1/10W
R1203	NRSA02J-221X	MG RESISTOR	220Ω,1/10W
R1204	NRSA02J-221X	MG RESISTOR	220Ω,1/10W
R1205	NRSA02J-102X	MG RESISTOR	1kΩ,1/10W
R1206	NRSA02J-561X	MG RESISTOR	560Ω,1/10W
R1207	NRSA02J-562X	MG RESISTOR	5.6kΩ,1/10W
R1208	NRSA02J-123X	MG RESISTOR	12kΩ,1/10W
R1209	NRSA02J-180X	MG RESISTOR	18Ω,1/10W
R1210	NRSA02J-393X	MG RESISTOR	39kΩ,1/10W
R1211	NRSA02J-103X	MG RESISTOR	10kΩ,1/10W
R1212	NRSA02J-102X	MG RESISTOR	1kΩ,1/10W
R1213	NRSA02J-181X	MG RESISTOR	180Ω,1/10W
R1214	NRSA02J-181X	MG RESISTOR	180Ω,1/10W
R1215	NRSA02J-102X	MG RESISTOR	1kΩ,1/10W
R1216	NRSA02J-151X	MG RESISTOR	150Ω,1/10W
R1217	NRSA02J-151X	MG RESISTOR	150Ω,1/10W
R1218	NRSA02J-301X	MG RESISTOR	300Ω,1/10W
R1220	NRSA02J-561X	MG RESISTOR	560Ω,1/10W
R1222	NRSA02J-471X	MG RESISTOR	470Ω,1/10W
R1223	NRSA02J-103X	MG RESISTOR	10kΩ,1/10W
R1224	NRSA02J-561X	MG RESISTOR	560Ω,1/10W
R1230	NRSA02J-0R0X	MG RESISTOR	0Ω,1/10W
R1231	NRSA02J-0R0X	MG RESISTOR	0Ω,1/10W
R1232	NRSA02J-0R0X	MG RESISTOR	0Ω,1/10W
R1233	NRSA02J-0R0X	MG RESISTOR	0Ω,1/10W
VR1201	QVZ3521-103Z	V RESISTOR	
B1204	NRSA02J-0R0X	MG RESISTOR	0Ω,1/10W
C1201	QEKJ0JM-476	E CAPACITOR	47μF,6.3V

#	△ REF No.	PART No.	PART NAME, DESCRIPTION
C1211		QEKJ0JM-476	E CAPACITOR 47μF,6.3V
C1212		NCB21HK-102X	CAPACITOR 0.001μF,50V
C1213		NCF21EZ-104X	CAPACITOR 0.1μF,25V
C1214		NCF21CZ-105X	CAPACITOR 1μF,16V
C1215		QEKJ0JM-476	E CAPACITOR 47μF,6.3V
C1216		NCF21EZ-104X	CAPACITOR 0.1μF,25V
C1217		NCF21EZ-104X	CAPACITOR 0.1μF,25V
C1218		NCF21EZ-104X	CAPACITOR 0.1μF,25V
C1219		NCF21CZ-105X	CAPACITOR 1μF,16V
C1220		QEKJ0JM-476	E CAPACITOR 47μF,6.3V
C1222		NDC21HJ-151X	CAPACITOR 150pF,50V
C1223		NDC21HJ-680X	CAPACITOR 68pF,50V
C1225		NDC21HJ-151X	CAPACITOR 150pF,50V
C1226		NDC21HJ-680X	CAPACITOR 68pF,50V
C1227		NCB21EK-104X	CAPACITOR 0.1μF,25V
C1228		QEKJ1EM-475	E CAPACITOR 4.7μF,25V
C1229		NCB21HK-103X	CAPACITOR 0.01μF,50V
C1230		NCF21EZ-104X	CAPACITOR 0.1μF,25V
C1231		NCF21EZ-104X	CAPACITOR 0.1μF,25V
C1232		NCF21EZ-104X	CAPACITOR 0.1μF,25V
C1233		QDYB1CM-103Y	CAPACITOR 0.01μF,16V
C1234		NCF21EZ-104X	CAPACITOR 0.1μF,25V
C1235		QEKJ0JM-476	E CAPACITOR 47μF,6.3V
C1236		NCF21EZ-104X	CAPACITOR 0.1μF,25V
C1237		NCF21EZ-104X	CAPACITOR 0.1μF,25V
C1238		NDC21HJ-180X	CAPACITOR 18pF,50V
C1239		NDC21HJ-560X	CAPACITOR 56pF,50V
C1243		NCB21HK-103X	CAPACITOR 0.01μF,50V
C1244		QEKJ1EM-475	E CAPACITOR 4.7μF,25V
C1245		NDC21HJ-150X	CAPACITOR 15pF,50V
C1246		QEKJ0JM-476	E CAPACITOR 47μF,6.3V
L1202		QQL29BJ-101Z	COIL 100μH
L1203		QQL29BJ-101Z	COIL 100μH
L1204		QQL29BJ-101Z	COIL 100μH
L1205		QQL071J-2R7Y	COIL 2.7μH
L1206		QQL071J-2R7Y	COIL 2.7μH
L1207		QQL29BJ-101Z	COIL 100μH
L1208		QQL071J-150Y	COIL 15μH
L1209		QUY153-050Y	IM BUS WIRE
△ LC1201		QQL29BJ-101Z	COIL 100μH
SD1		LP30706-001C	SHIELD FRAME(S-VHS)
SD2		LP30684-001A	SHIELD CASE(S-VHS),S5900U/U(C)
CN1201		QGG2502K1-17	HEADER PIN

\*\*\*\*\*

**A/C HEAD BOARD ASSEMBLY <12>**

PW1	LP10122-01A1	A/C HEAD BOARD ASSY
CN1	QGF1208F1-07	FPC CONNECTOR

#	△ REF No.	PART No.	PART NAME, DESCRIPTION
*****			

**DEMOD BOARD ASSEMBLY <14>**

PW1	PB11076A	DEMOD BOARD ASSY
IC1501	UPC1852AGT	IC
	or UPC1854AGT	IC
R1501	QRE141J-102Y	RESISTOR 1kΩ,1/4W
R1502	QRE141J-334Y	RESISTOR 330kΩ,1/4W
R1503	QRE141J-124Y	RESISTOR 120kΩ,1/4W
R1504	QRE141J-302Y	RESISTOR 3kΩ,1/4W
R1505	QRE141J-512Y	RESISTOR 5.1kΩ,1/4W
R1506	QRE141J-333Y	RESISTOR 33kΩ,1/4W
R1507	QRE141J-333Y	RESISTOR 33kΩ,1/4W
R1508	QRE141J-392Y	RESISTOR 3.9kΩ,1/4W
R1509	QRE141J-122Y	RESISTOR 1.2kΩ,1/4W
R1510	QRE141J-392Y	RESISTOR 3.9kΩ,1/4W
R1511	QRE141J-122Y	RESISTOR 1.2kΩ,1/4W
R1517	QRE141J-123Y	RESISTOR 12kΩ,1/4W
C1501	QETN1CM-226	E CAPACITOR 22μF,16V
C1502	QETN1HM-104	E CAPACITOR 0.1μF,50V
C1503	QETN1HM-105	E CAPACITOR 1μF,50V
C1504	QETN1HM-475	E CAPACITOR 4.7μF,50V
C1505	QETN1HM-225	E CAPACITOR 2.2μF,50V
C1506	QETN1HM-104	E CAPACITOR 0.1μF,50V
C1507	QFV11HJ-473	F CAPACITOR 0.047μF,50V
C1508	QETN1HM-474	E CAPACITOR 0.47μF,50V
C1509	QETN1HM-104	E CAPACITOR 0.1μF,50V
C1510	QETN1HM-105	E CAPACITOR 1μF,50V
C1511	QETN1HM-105	E CAPACITOR 1μF,50V
C1512	QETN1HM-105	E CAPACITOR 1μF,50V
C1513	QETN1HM-335	E CAPACITOR 3.3μF,50V
C1514	QETN1HM-106	E CAPACITOR 10μF,50V
C1515	QETN1HM-105	E CAPACITOR 1μF,50V
C1516	QETN1HM-106	E CAPACITOR 10μF,50V
C1517	QETN1HM-106	E CAPACITOR 10μF,50V
C1518	QETN1HM-105	E CAPACITOR 1μF,50V
C1521	QETN1HM-106	E CAPACITOR 10μF,50V
BK1	LP40077-001A	BRACKET(BOARD)
CN1501	QGG2502K1-09	HEADER PIN

\*\*\*\*\*

**S JACK BOARD ASSEMBLY(S5900U/U(C))<36>**

PW1	LPA20009-02B	S JACK BOARD ASSY
J7102	QND0084-001	S JACK
CN7108	QGF1209F1-04	FPC CONNECTOR,(1-4)MAIN

\*\*\*\*\*

**ADV.JOG BOARD ASSEMBLY <38>**

PW1	LPA20013-04B	ADV.JOG BOARD ASSY
UN7002	QSW0905-001	ROTARY ENCODER
CN7004	QGF1209F1-09	FPC CONNECTOR,(1-9)MAIN

#	△ REF No.	PART No.	PART NAME, DESCRIPTION
*****			

**LOADING MOTOR BOARD ASSEMBLY <55>**

PW2	LP10122-01A2	LOADING MOTOR BOARD ASSY
CN1	QGB2533K1-02	CONNECTOR

\*\*\*\*\*

**R.PAUSE BOARD ASSEMBLY <91>**

PW2	LPA10134-03C2	R.PAUSE BOARD ASSY	
R7156	NRSA02J-101X	MG RESISTOR	100Ω,1/10W
B7151	NRSA02J-0R0X	MG RESISTOR	0Ω,1/10W
B7152	NRSA02J-0R0X	MG RESISTOR	0Ω,1/10W
J7104	PU60612	MINI JACK	

\*\*\*\*\*

**C.BOX BOARD ASSEMBLY <92>**

PW3	LPA10134-03C3	C.BOX BOARD ASSY	
R7155	NRSA02J-101X	MG RESISTOR	100Ω,1/10W
J7105	PU60612	MINI JACK	

#	△ REF No.	PART No.	PART NAME, DESCRIPTION
*****			